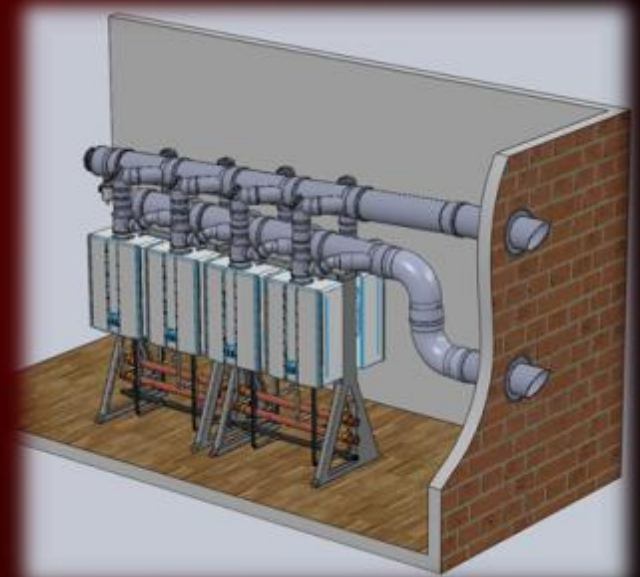


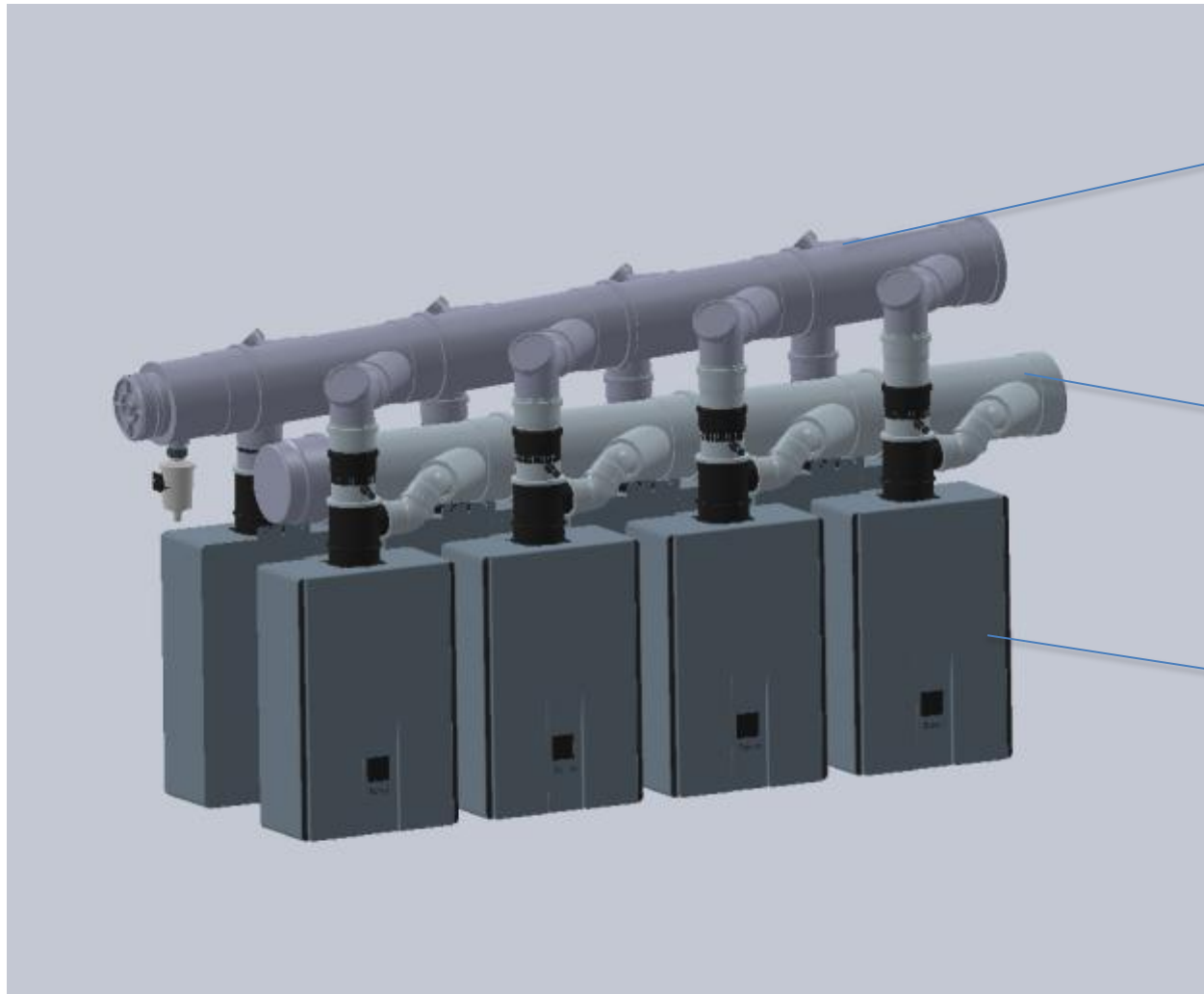
Tankless Rack System and Common Venting System Introduction

August 9, 2012



Rinnai[®]

Back to Back 8-unit System with Common Venting System



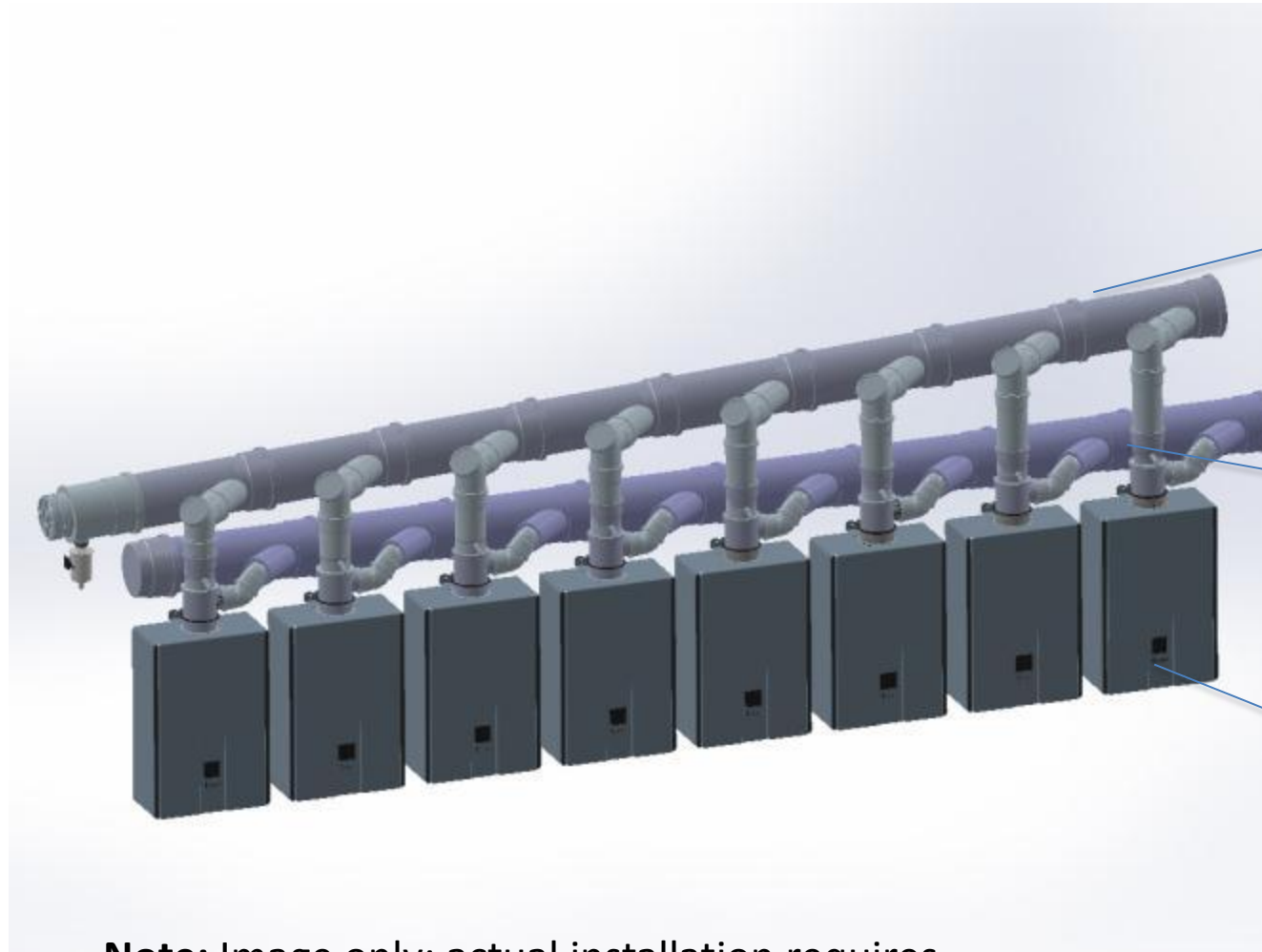
CVent PPTl
exhaust vent
header

PVC intake
venting (Sche.
40)

RU98i
Condensing
Units (only for
common vent)

Rinnai

In-Line 8-Unit System with Common Venting System



Cvent PPTl
exhaust vent
header

PVC intake
venting (Sche.
40)

RU98i
Condensing
Units (only for
common vent)

Note: Image only; actual installation requires intake venting to be on front side of the valves

Rinnai

4-Unit Stand Alone Rack



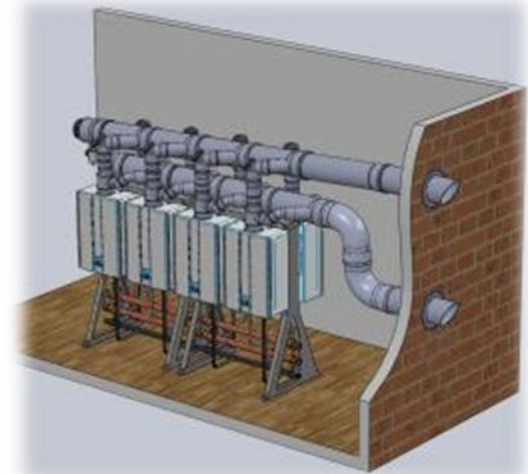
4-Unit Wall-Mount Rack



Rinnai.

Tankless Rack System Overview

- Wall-mount or stand-alone
- 2-4 units on wall-mount
- 2-6 units on stand-alone
- Pre-assembled and delivered to distribution or customer site
- The TRS is a modular system that can be combined to form larger systems (up to 25 units)
- RU98i/e condensing water heaters
- Available with common venting, up to 8 units on single exhaust/intake vent system



Value Proposition

- The TRS is a complete multi-unit solution pre-assembled to ensure quick and simple installation.
- TRS racks can be stocked in smaller configurations of 400,000-600,000 Btu, or custom-ordered for larger applications requiring up to 5,000,000 Btu.
 - The smaller 2- and 3-unit racks can be combined in the field to form higher Btu configurations → a modular solution!



4-Unit
Stand Alone
Rack

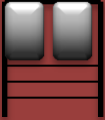




Rinnai

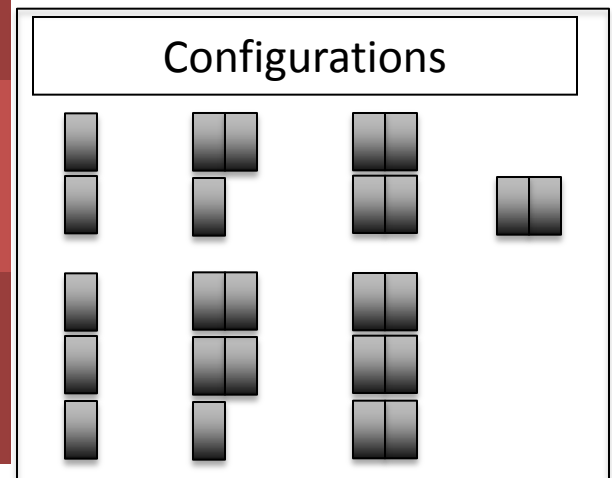
The Market

- The TRS will enable us to go after both the “light” and “heavy” commercial markets
 - Light = repair and replacement
 - Heavy = planned replacement, bid-spec

	Light	Heavy
Competitors	AOS, Rheem, Bradford White	Lochinvar, Raypak, PVI, Burnham
Btu range	Less than 600,000 Btu	More than 600,000 Btu
Applications	Restaurants, salons, light commercial, retail	Office buildings, hotels, schools, health clubs, multi-family, healthcare, industrial
TRS Units	2- and 3-unit racks	4-25 unit racks

Rack Configurations

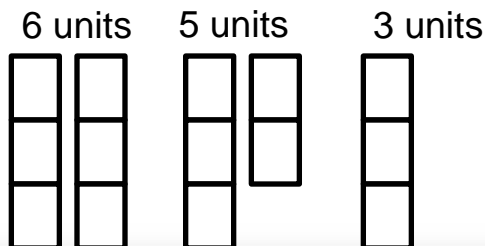
Rack Base Model	Type	No. of water heaters	Max. Btu	Image
TRW02	Wall mount	2	398k	
TRW03	Wall mount	3	597k	
TRW04	Wall mount	4	796k	
TRS04 (TRS02, TRS03)	Stand Alone	2, 3, 4	796k	
TRS06 (TRS03, TRS05)	Stand Alone	3, 5, 6	1,194k	



TRS6: 6-unit stand alone rack

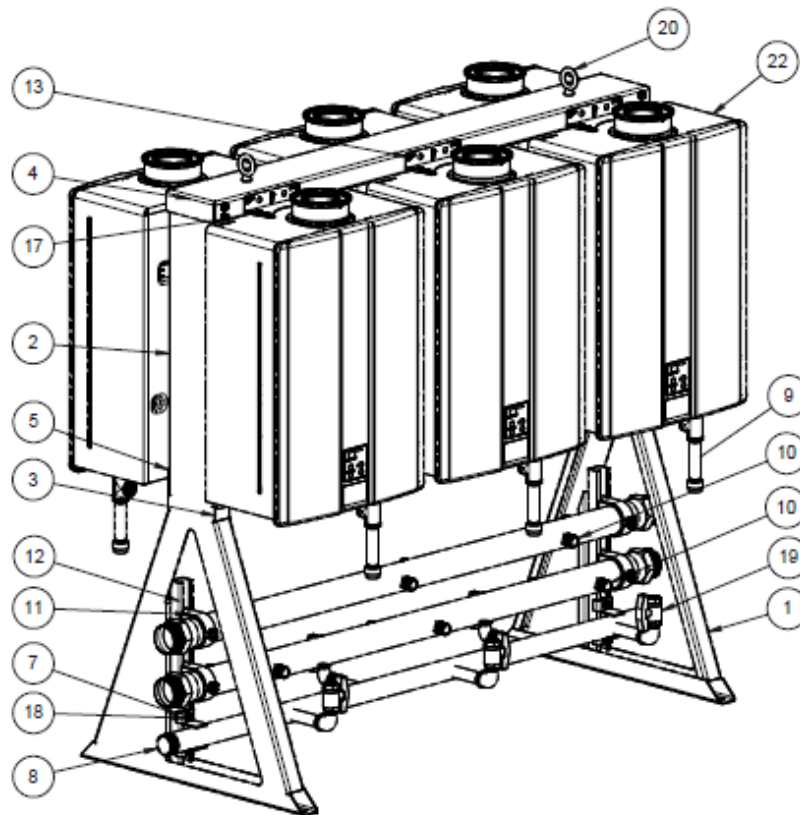
Possible Configurations

6 units	Back-to-back
5 units	Back-to-back
3 units	In-line



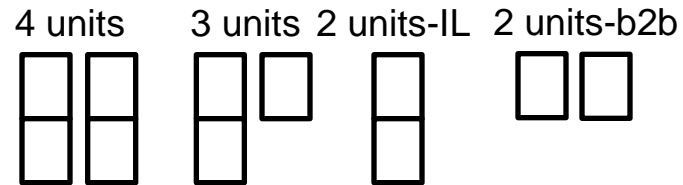
ITEM NO.	PART NUMBER	DESCRIPTION	QTY.
1	109000309	Frame, Rack Right Side	1
2	109000308	Frame, Rack Left Side	1
3	109000302	Filment, Rack Frame Side	2
4	109000310	Frame, Rack Top - 6B2B	1
5	109000307	Frame, Rack Center - 6B2B	1
6	109000298	Bracket, Lifting Eyelet Lug	2
7	109000321	Washer, 0375 x Unistrut	4
8	106000087	Manifold, Gas - 6B2B	1
9	106000092	3_4 Dirt Leg	6
10	107000114	Manifold, Water - 6B2B	2
11	109000300	Cush A Clamp - UniStrut 2_63 ID Dichromate	4
* 12	109000320	Unistrut - 16.88 x 1_63 x 1_38 w/Holes	2
* 13	109000318	#12 X 1/2" Hex Screw, 18-8 S5	30
* 14	109000297	Bolt, 1/2"-13 x 3/4" Washer Hd	4
* 15	109000316	Nut, 1/2"-13 Washer Head	6
* 16	109000317	Rivnut, 5/16"-18	16
* 17	109000296	Bolt, 5/16"-18 x 5/8" Washer Hd	16
* 18	109000315	Nut, 3/8"-18 Flanged	4
19	106000091	3/4 FNPT Brass Ball Valve - Gas	6
20	109000324	Bolt, Eye - 0_500 wi/Shoulder, 3014T254	2
22	RU98i - KB_REU-KB3237FFUD-US-KOK	RU98i - KB_REU-KB3237FFUD-US-KOK	6

*Component details are on Sheet 3



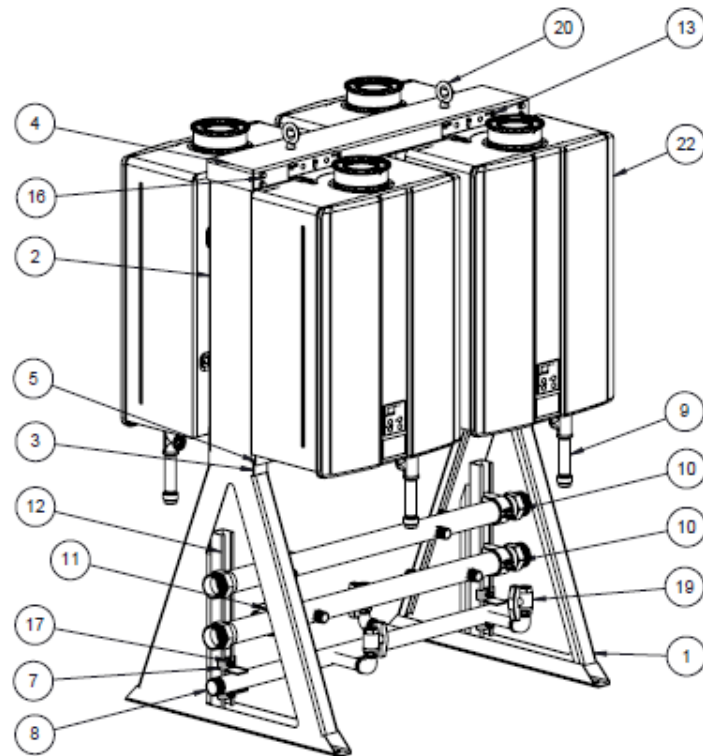
TRS4: 4-unit stand alone rack

Possible Configurations	
4 units	Back-to-back
3 units	Back-to-back
2 units	In-line



ITEM NO.	PART NUMBER	DESCRIPTION	QTY.
1	109000309	Frame, Rack Right Side	1
2	109000308	Frame, Rack Left Side	1
3	109000302	Filment, Rack Frame Side	2
4	109000323	Frame, Rack Top - 4B2B	1
5	109000306	Frame, Rack Center - 4B2B	1
6	109000298	Bracket, Lifting Eyelet Lug	2
* 7	109000321	Washer, 0375 x Unistrut	4
8	106000086	Manifold, Gas - 4B2B	1
9	106000092	3_4 Dirt Leg	4
10	107000113	Manifold, Water - 4B2B	2
11	109000301	Cush A Clamp - UniStrut P 2_125 ID	4
* 12	109000322	Unistrut - 16_88 x 1_63 x 1_63 w,Holes	2
* 13	109000318	#12 X 1/2" Hex Screw, 18-8 SS	20
* 14	109000297	Bolt, 1/2"-13 x 3/4" Washer Hd	4
* 15	109000316	Nut, 1/2"-13 Washer Head	6
* 16	109000296	Bolt, 5/16"-18 x 5/8" Washer Hd	20
* 17	109000315	Nut, 3/8"-18 Flanged	4
* 18	109000317	Rivnut, 5/16"-18	20
19	106000091	3/4 FNPT Brass Ball Valve - Gas	4
20	109000324	Bolt, Eye - 0_500 wi,Shoulder, 3014T254	2
22	RU98i - KB	REU-KB3237FFUD-US-KOK	4

*Component details are on Sheet 3



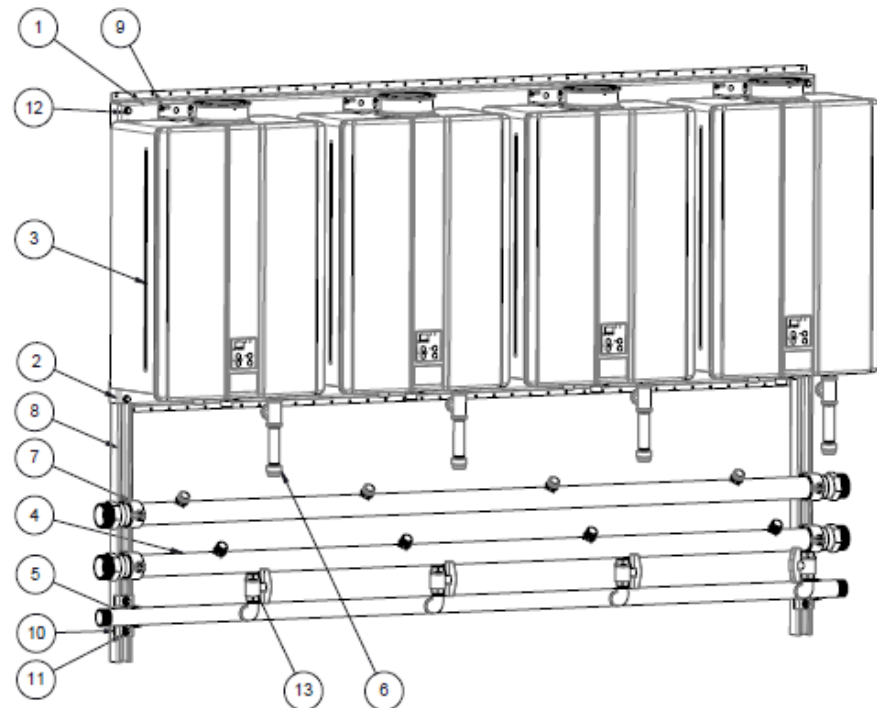
TRW4: 4-unit wall-mount rack

ITEM NO.	PART NUMBER	DESCRIPTION	QTY.
** 1	109000313	Frame, Top - 4WM	1
*** 2	109000305	Frame, Bottom - 4WM	1
3	KB	KB - RU98i	4
4	107000112	Manifold, Water - 4WM	2
5	106000090	Manifold Gas - 4WM	1
6	106000092	3_4 Dirt Leg	4
7	109000301	Cush A Clamp - UniStrut P 2_125 ID	4
* 8	109000319	Unistrut - 1_63 x 1_63 x 54 w,Slots	2
* 9	109000318	#12 X 1/2" Hex Screw, 18-8 SS	20
* 10	109000321	Washer, 0375 x Unistrut	4
* 11	109000315	Nut, 3/8"-18 Flanged	4
* 12	109000296	Bolt, 5/16"-18 x 5/8" Washer Hd	8
13	106000091	3/4 FNPT Brass Ball Valve - Gas	4

*Component details are on Sheet 3

**Component details are on Sheet 4

***Component details are on Sheet 5



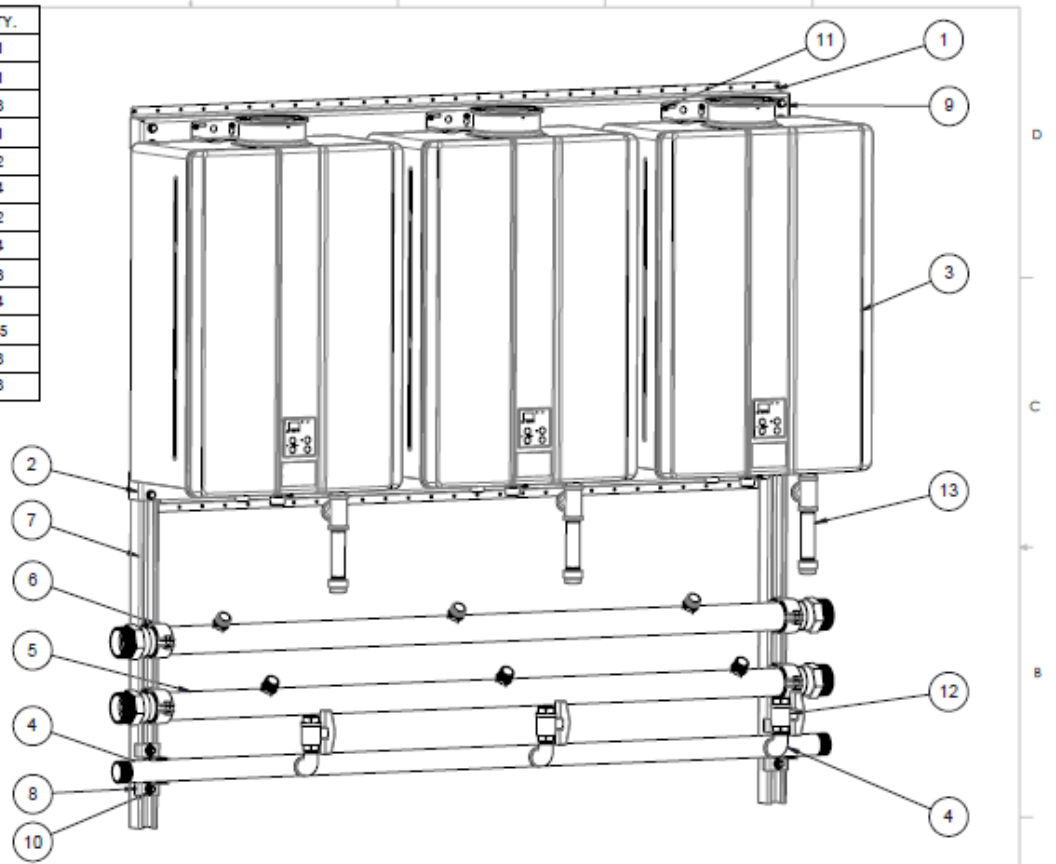
TRW3: 3-unit wall-mount rack

ITEM NO.	PART NUMBER	DESCRIPTION	QTY.
** 1	109000312	Frame, Top - 3WM	1
*** 2	109000304	Frame, Bottom - 3WM	1
3	KB	KB - RU96i	3
4	106000089	Manifold Gas - 3WM	1
5	107000111	Manifold, Water - 3WM	2
6	109000301	Cush A Clamp - UniStrut P 2_125 ID	4
* 7	109000319	UniStrut - 1_63 x 1_63 x 54 w_Slots	2
* 8	109000321	Washer, 0375 x UniStrut	4
* 9	109000296	Bolt, 5/16"-18 x 5/8" Washer Hd	8
* 10	109000315	Nut, 3/8"-18 Flanged	4
* 11	109000318	#12 X 1/2" Hex Screw, 18-8 S5	15
12	106000091	3/4 FNPT Brass Ball Valve - Gas	3
13	106000092	3_4 Dirt Leg	3

* Component details are on Sheet 3

** Component details are on Sheet 4

*** Component details are on Sheet 5



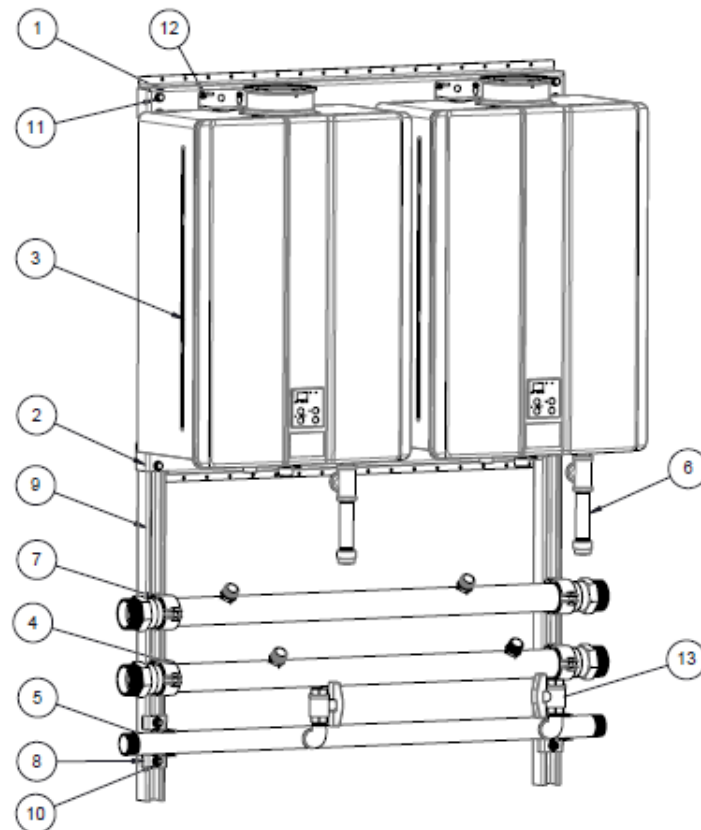
TRW2: 2-unit wall-mount rack

ITEM NO.	PART NUMBER	DESCRIPTION	QTY.
** 1	109000311	Frame, Top - 2WM	1
*** 2	109000303	Frame, Bottom - 2WM	1
3	KB	KB - RU9Bi	2
4	107000110	Manifold, Water - 2WM	2
5	106000088	Manifold Gas - 2WM	1
6	106000092	3_4 Dirt Leg	2
7	109000301	Cush A Clamp - UniStrut P 2_125 ID	4
* 8	109000321	Washer, 0375 x Unistrut	4
* 9	109000319	Unistrut - 1_63 x 1_63 x 54 w_Slots	2
* 10	109000315	Nut, 3/8"-18 Flanged	4
* 11	109000296	Bolt, 5/16"-18 x 5/8" Washer Hd	8
* 12	109000318	#12 X 1/2" Hex Screw, 18-8 S5	10
13	106000091	3/4 FNPT Brass Ball Valve - Gas	2

* Component details are on Sheet 3

** Component details are on Sheet 4

*** Component details are on Sheet 5



TRS Part Nos. (a sampling)

Part no.*	Description	Rack type	# of WH	Int/Ext	Fuel Type	Btu	GPM @ 100°F Rise	List
TRW02iN	2-unit interior wall mount rack, NG	Wall Mount	2	i	NG	398,000	7.60	\$ 7,198
TRW03iN	3-unit interior wall mount rack, NG	Wall Mount	3	i	NG	597,000	11.40	\$ 10,200
TRW04iN	4-unit interior wall mount rack, NG	Wall Mount	4	i	NG	796,000	15.20	\$ 12,997
TRS02iN	2-unit interior free standing rack, NG, back-to-back	Free Standing	2	i	NG	398,000	7.60	\$ 8,454
TRS02LiN	2-unit INLINE interior free standing rack, NG	Free Standing	2	i	NG	398,000	7.60	\$ 8,454
TRS03iN	3-unit interior free standing rack, NG, back-to-back	Free Standing	3	i	NG	597,000	11.40	\$ 10,780
TRS04iN	4-unit interior free standing rack, NG	Free Standing	4	i	NG	796,000	15.20	\$ 13,106
TRS03LiN	3-unit INLINE interior free standing rack, NG	Free Standing	3	i	NG	597,000	11.40	\$ 12,291
TRS05iN	5-unit interior free standing rack, NG	Free Standing	5	i	NG	995,000	19.00	\$ 16,914
TRS06iN	6-unit interior free standing rack, NG	Free Standing	6	i	NG	1,194,000	22.80	\$ 19,223

How the part no. works:

TR = **T**ankless **R**ack

W/S = **W**all mount or **S**tand alone

04 = number of water heaters



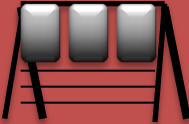














i/e = **I**nternal/**E**xternal

N/P = fuel type

Total TRS part nos.: 40

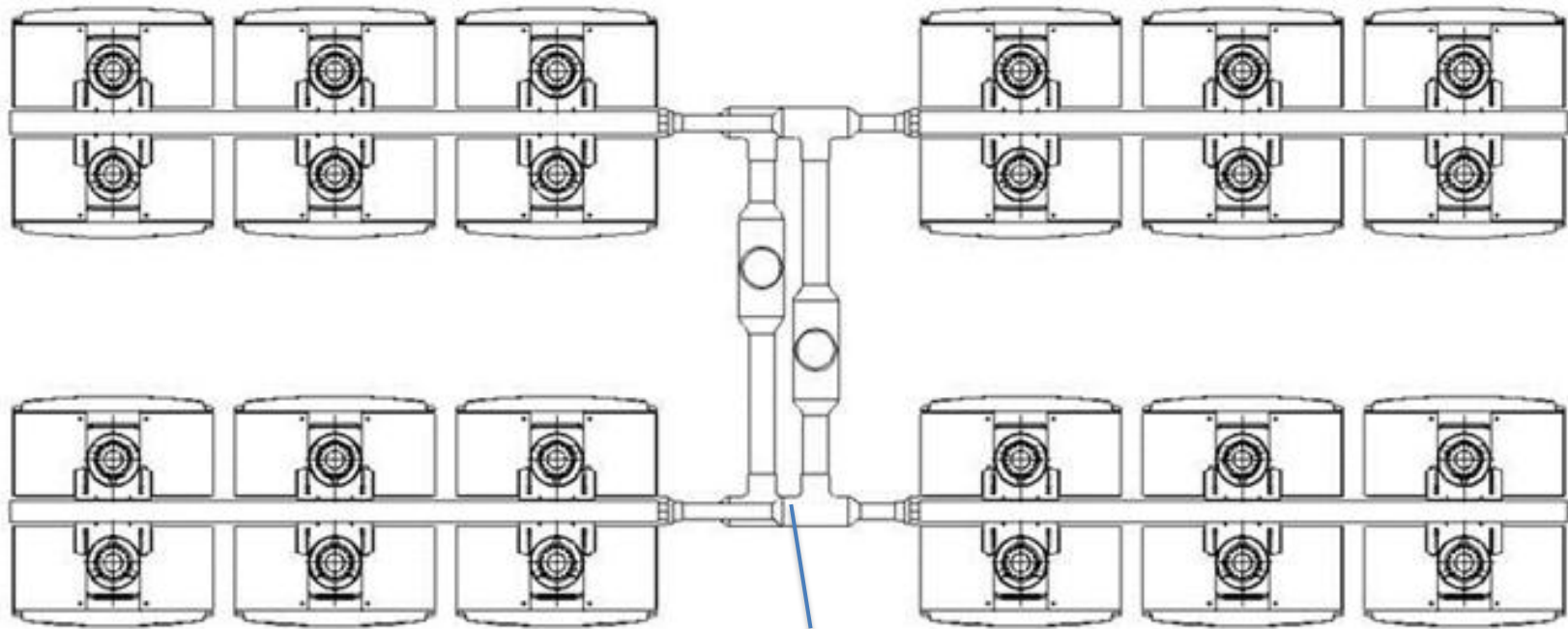
NOTE: The pricing for the racks INCLUDES the water heater.

Multiple Rack Combinations

# of WH, Part No.	Rack Part Nos.	Rack 1	Rack 2	Rack 3	Rack 4	List Price
8	TRW04x (2)					\$26,000
10	TRS06x TRS04x					\$32,330
12	TRS06x (2)					\$38,450
15	TRS06x (2) TRS03x			 3		\$49,230
20	TRS06x (3) TRS02x				 2	\$66,100
24	TRS06x (4)					\$76,900

Multiple Rack Connections

- Must be done in parallel
- Use connection Tees to up-size manifold piping







Connection
Tees

Necessary because rack water manifolds are only sized for 6 units, not 12, 18, 24, etc.

Rinnai

2-3 Unit Wall Mounts

Racks	Total BTU	Image Concept	Manifold Connection
1 TRW02	398k		N/A
2 TRW02	796k		Direct manifold-to-manifold connection
1 TRW02 1 TRW03	995k		2.5" tee
2 TRW03	1,194k		2.5" tee

These units can be in distribution as a stock item and combined together for different Btu requirements.

Perfect for emergency replacement in light commercial

Dimensions and Weights

Model*	Type	No. of Water Heaters	Height (inches)	Width (inches)	Depth (inches)	Weight w/o RU98 (lb.)	Weight w/RU98 (lb.)	Frame Material	WaterLine dia. (inches)	Gas Manifold Dia. (inches)	Flow Rate @70°F Rise (GPM)	Flow Rate @100°F Rise (GPM)	Max. Input (Btu)
TRW02	Wall Mount	2	54.81	41.5	12.75	44.1	175.5	AL	2	1	10.8	7.6	398,000
TRW03	Wall Mount	3	54.81	62.0	12.75	63.4	260.5	AL	2	1 1/4	16.2	11.4	597,000
TRW04	Wall Mount	4	54.81	82.5	12.75	82.6	345.4	AL	2	1 1/4	21.6	15.2	796,000
TRS02	Free Standing	2	55.56	41.5	28.5	80.1	211.5	AL	2	1 1/4	10.8	7.6	398,000
TRS03	Free Standing	3	55.56	41.5	28.5	88.1	285.2	AL	2	1 1/4	16.2	11.4	597,000
TRS04	Free Standing	4	55.56	41.5	28.5	96.1	358.9	AL	2	1 1/4	21.6	15.2	796,000
TRS05	Free Standing	5	55.56	62.0	28.5	116.6	445.1	AL	2 1/2	1 1/2	27.0	19.0	995,000
TRS06	Free Standing	6	55.56	62.0	28.5	153.1	518.8	AL	2 1/2	1 1/2	32.4	22.8	1,194,000

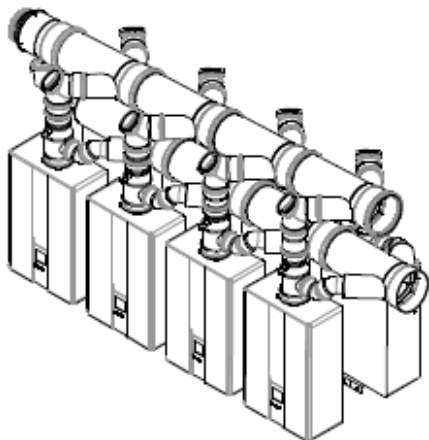
Electronic Accessories

- EZConnect cord, MSB-M and MSB cords, MCC-91-2 controller
- Ordered separately and shipped with the racks
- MSB/EZConnect not needed when used with storage

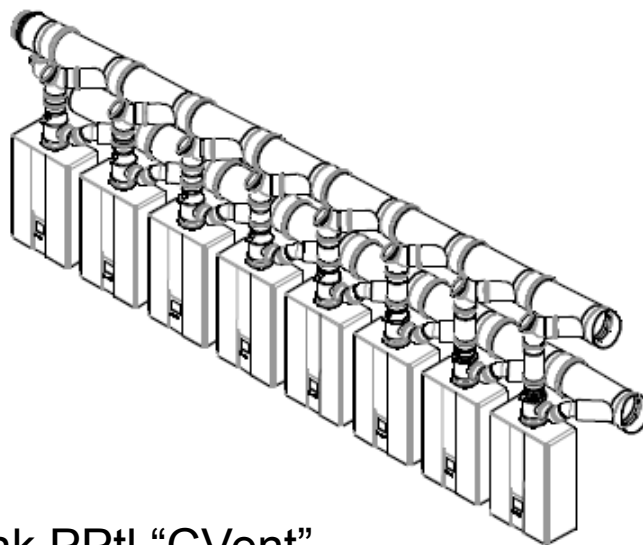
Storage	>140°F	MSB/EZConn.	MCC-91
YES	YES	No	YES
YES	No	No	No
No	YES	YES	YES
No	No	YES	No

Common Venting System Summary

Back to Back Configuration



In-Line Configuration



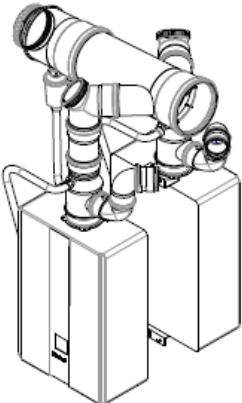
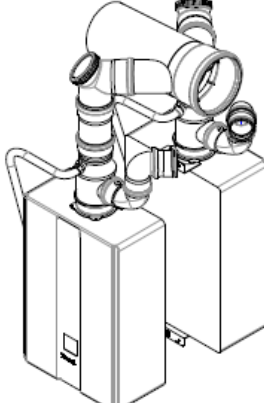
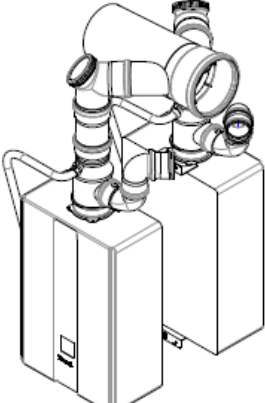
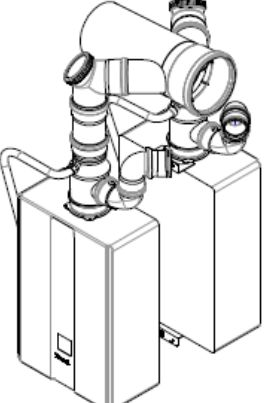
- Exhaust Venting: Ubbink PPTI “CVent”
 - PPTI not approved for Canada
- Intake Venting: Schedule 40 PVC (field supplied)
- Up to 8 units on a single system
- Vent Length of up to 100’ with 7 units or less
- Can be purchased as part of TRS or separately for non-TRS multi-unit installations

Benefits of Common Vent

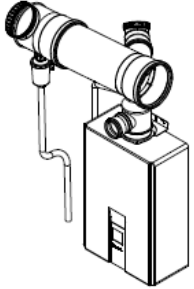
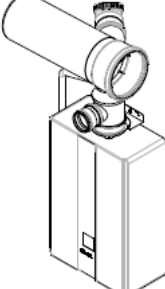
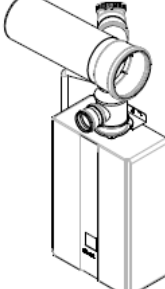
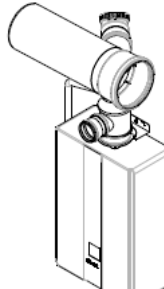
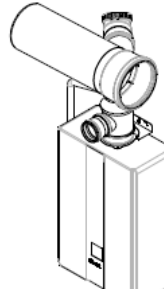
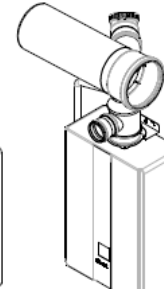
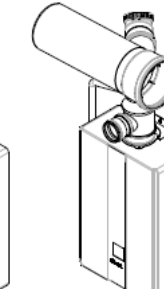
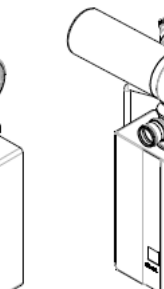
- Fully tested and certified
- Superior temperature rating (230° F) vs. PVC
- Easy lock and fit joints for CVent
- Non-return valve prevents back-flow
- Only 2-3 other manufacturers offer common vent solutions



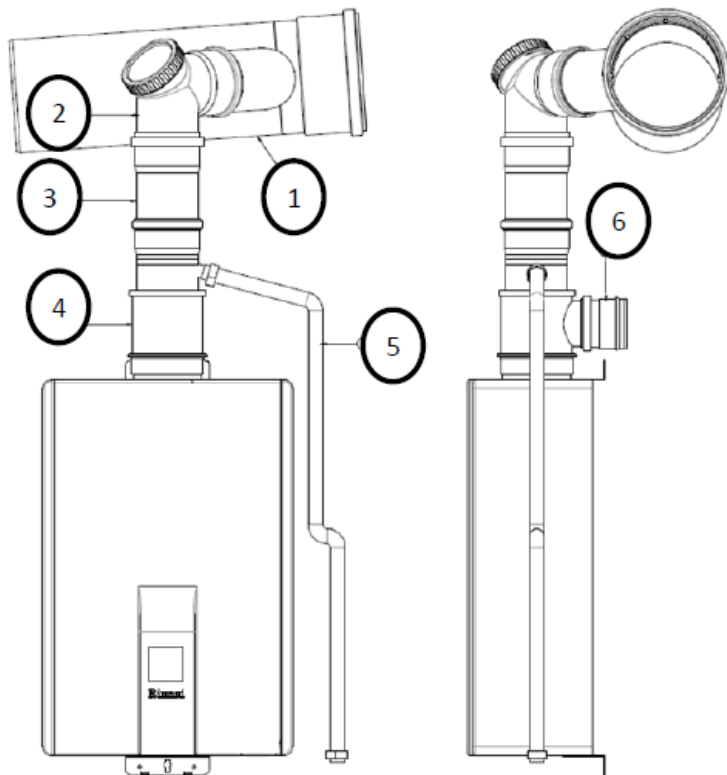
Starter Kits and Add-On Kits

2	4	6	8
			
Back to Back Starter Kit	Back to Back Add-On Kit(s)		

**One starter kit is needed for each Common Venting System

1	2	3	4	5	6	7	8
							
In-Line Starter Kit	In-Line Add-On Kit(s)						

Back to Back Add-On Kit

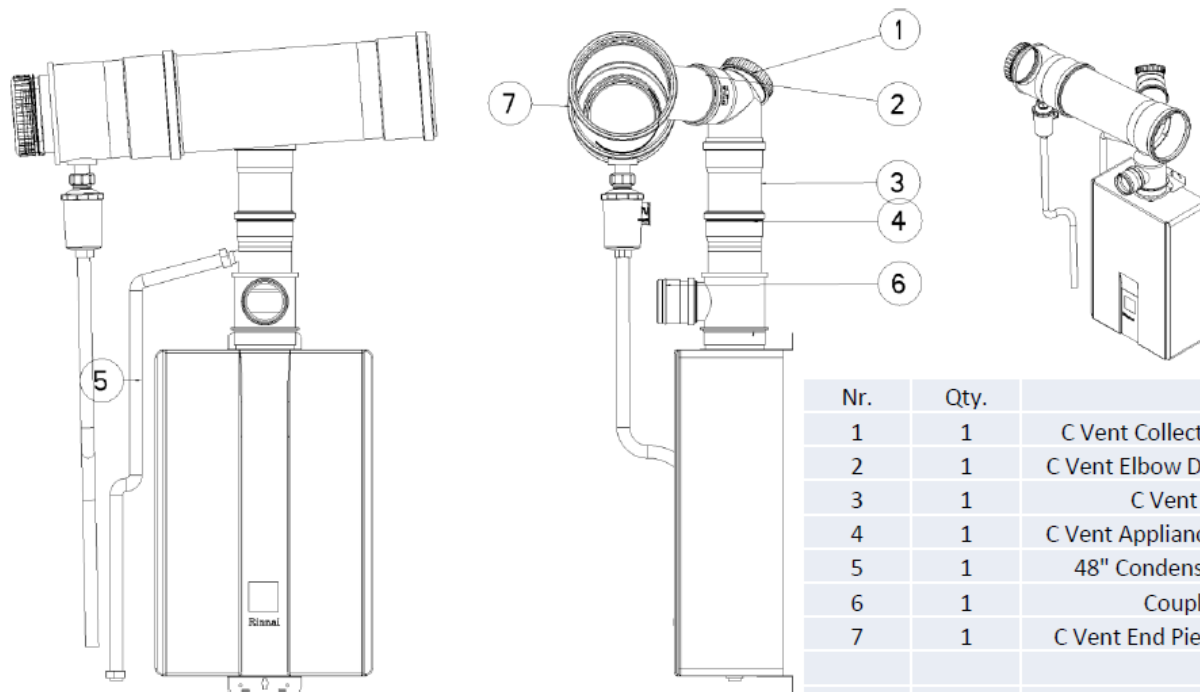


Nr.	Qty.	Description
1	1	C Vent Collector, 1 connection D8 x L20
2	1	C Vent Elbow D4 x 87 degree with cleanout
3	1	C Vent Extension, D4 x L18
4	1	C Vent Appliance Adaptor with Check Valve
5	1	Condensate Tubing Kit 48" with 2 clamps
6	1	Coupler, D3 x 3" PVC Spigot
15	1	Centrocerin Lubricant

SCALE 1:4

In-Line Starter Kit

8" C Vent In-Line Starter Vent Kit, Part #790005



Nr.	Qty.	Description
1	1	C Vent Collector, 1 Connection, D8 x L20
2	1	C Vent Elbow D4 x 87 degree with cleanout
3	1	C Vent Extension, D4 x L10
4	1	C Vent Appliance Adapter with Check Valve
5	1	48" Condensate Tubing Kit + 2 clamps
6	1	Coupler D3 x PVC 3 Inch
7	1	C Vent End Piece + trap + hose + 2 clamps
15	1	Centrocerin Lubricant

CVent Kit Components

Rinnai PN	Description	Ø Diameter	Length/ Other	Qty.
790005	CVent 8-inch STARTER KIT in-line 1 unit			
	KIT COMPONENTS:			
	CVent Collector, 1 connection, D8 x L20	8"	20"	1
	CVent Endpiece + condensate trap + hose + 2 clamps			1
	CVent Extension, D4 x L10	4"	10"	1
	CVent Elbow D4 x 87 degree with cleanout	4"	87°	1
	CVent Elbow D3 x 45 degree for air intake connection	3"	45°	1
	CVent Appliance Adapter and Check Valve	3"-5"/4"+3"		1
	Condensate Tubing Kit			1
	Condensate drain tube, L48		48"	
	2 clamps			
	Centrocerin lubricant			1
790006	CVent 8-in STARTER KIT back2back 2 units			
	KIT COMPONENTS:			
	CVent Collector, 2 connections, D8 x L20	8"	20"	1
	CVent Endpiece + condensate trap + hose + 2 clamps			1
	CVent Extension, D4 x L10 (2 pcs.)	4"	10"	2
	CVent Elbow D4 x 87 degree with cleanout (2 pcs.)	4"	87°	2
	CVent Elbow D3 x 87 degree (4 pcs.) (for intake connections)	3"	87°	4
	CVent Appliance Adapter and Check Valve (2 pcs.)	3"-5"/4"+3"		2
	Condensate Tubing Kit			2
	Condensate drain tube, L48		48"	
	2 clamps			
	Centrocerin lubricant			1

The Non-Return Valve

The Valve Installed



The Valve



Closed

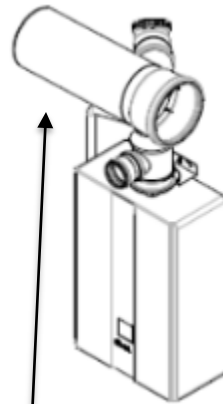
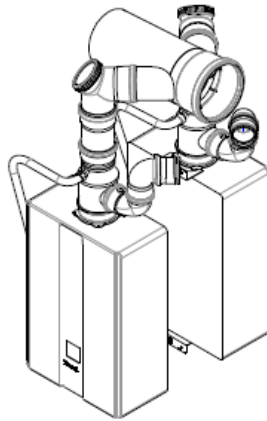
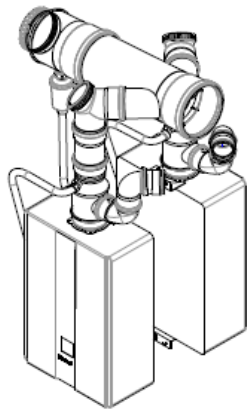


Open



Quiz: How do you do odd-numbered back to back?

2	4	5
---	---	---

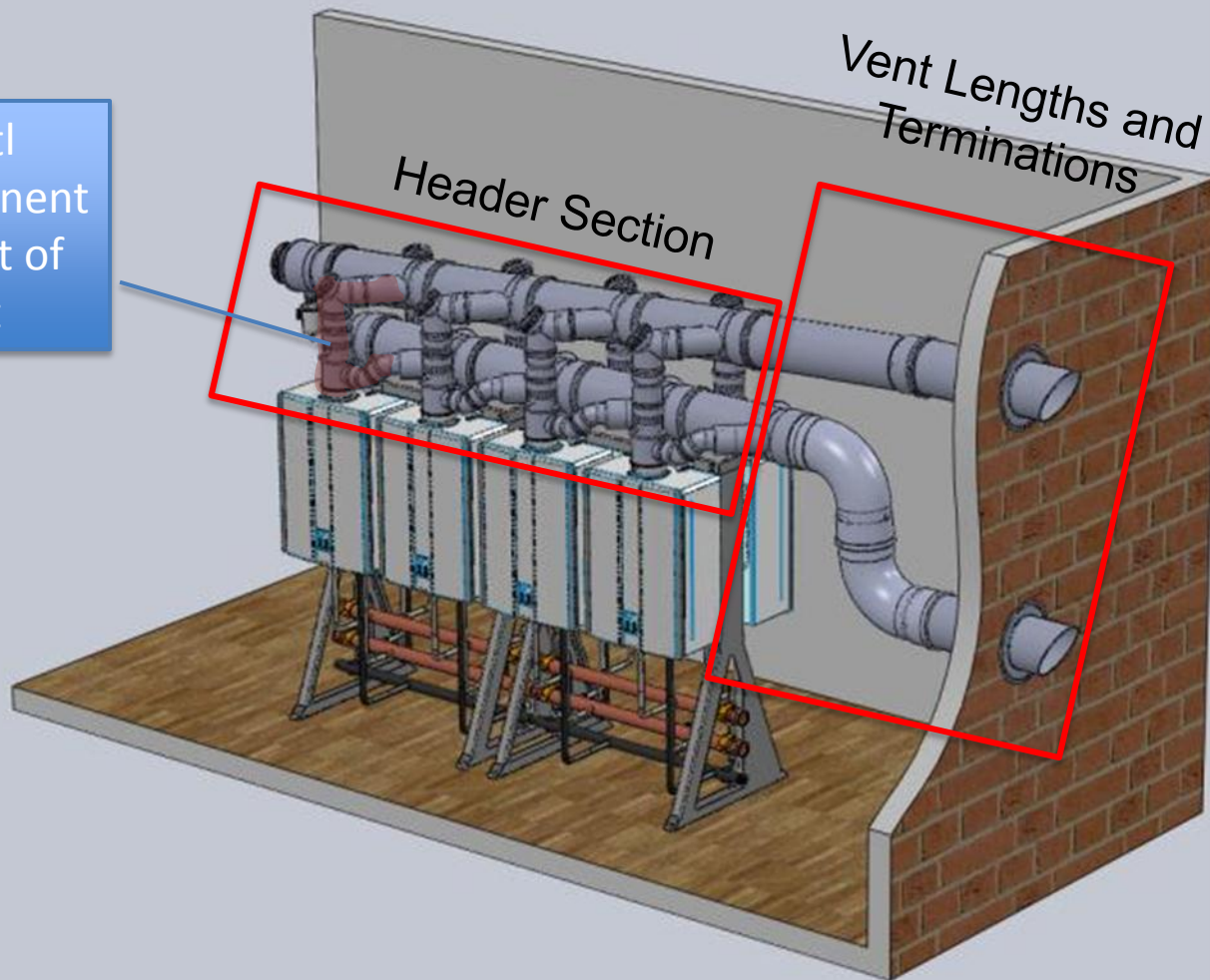


Use an in-line add-on kit (with 2 elbow kit for intake connection)



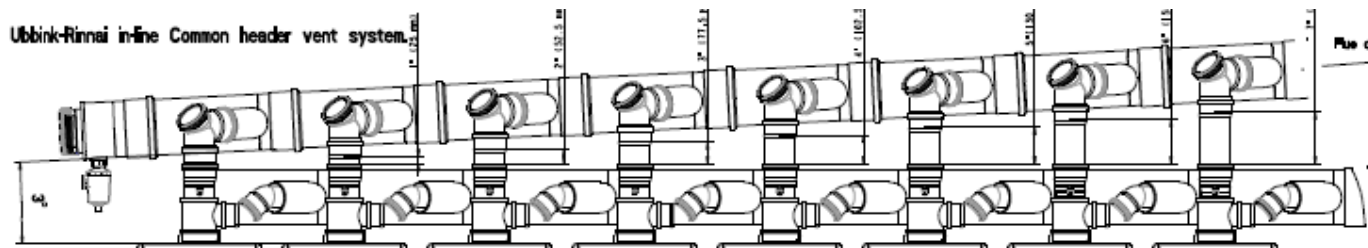
Headers and Vent Lengths

Pptl
components,
part of
kit



Common Vent Headers: TRS Ver.*

Part no.	Description	List
CV8IL4	In-line 8 in common vent exhaust header, 4 units	\$ 2,824
CV8IL5	In-line 8 in common vent exhaust header, 5 units	\$ 3,634
CV8IL6	In-line 8 in common vent exhaust header, 6 units	\$ 4,279
CV8IL7	In-line 8 in common vent exhaust header, 7 units	\$ 4,924
CV8IL8	In-line 8 in common vent exhaust header, 8 units	\$ 5,569
CV8BB4	Back-to-back 8 in common vent exhaust header, 4 units	\$ 2,802
CV8BB5	Back-to-back 8 in common vent exhaust header, 5 units	\$ 3,302
CV8BB6	Back-to-back 8 in common vent exhaust header, 6 units	\$ 3,830
CV8BB7	Back-to-back 8 in common vent exhaust header, 7 units	\$ 4,660
CV8BB8	Back-to-back 8 in common vent exhaust header, 8 units	\$ 5,189



*These one-part no. header systems can only be ordered with the TRS.

Rinnai

Common Vent Headers Components*

Part No.	Description	List
790005	CVent 8-inch STARTER KIT in-line 1 unit	\$ 890
790006	CVent 8-in STARTER KIT back2back 2 units	\$ 1,444
790007	CVent 8-in ADD-ON KIT 1 unit	\$ 645
790008	CVent 8-in ADD ON KIT back2back 2 units	\$ 1,193

Common Venting Header Options			CVent Header					
No. of RU98i	Configuration	List	inline starter kit	b2b starter kit	inline add-on kit	b2b add-on kit	Cvent 18" ext.	odd b2b kit
			790005	790006	790007	790008	790020	790036
4	in-line	\$ 2,824	1		3			
5	in-line	\$ 3,634	1		4		1	
6	in-line	\$ 4,279	1		5		1	
7	in-line	\$ 4,924	1		6		1	
8	in-line	\$ 5,569	1		7		1	
4	back-to-back	\$ 2,802		1		1	1	
5	back-to-back	\$ 3,302		1	1	1		1
6	back-to-back	\$ 3,830		1		2		
7	back-to-back	\$ 4,660		1	1	2	1	1
8	back-to-back	\$ 5,189		1		3	1	

*These components are ordered individually when customers just want to order the common venting system without the TRS.







Common Vent Lengths & Terminations

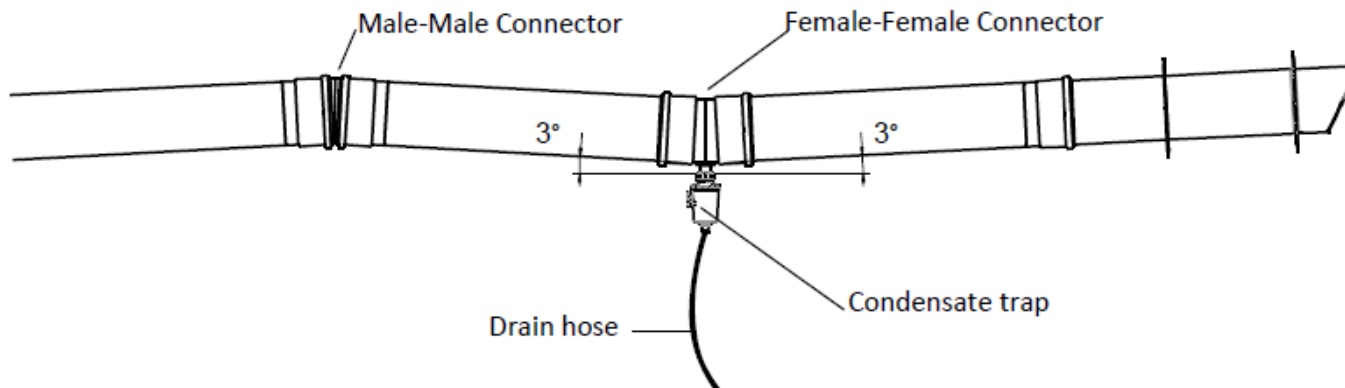
Part No.	Description
790001	Cvent 8-in Roof Termination Kit
790002	CVent 8-in Flat Roof Flashing
790003	CVent 8-in Pitched Roof Flashing
790004	Cvent 8-in Wall Termination Kit
790020	CVent Extension, D8 x L18
790021	CVent Extension, D8 x L39
790022	CVent Elbow D8 x 45degree (2 in a box)
790023	CVent Elbow D8 x 90degree
790024	CVent 8-in Brackets
790025	Centrocerin lubricant
790026	CVent Elbow D4 x 45degree (2 in a box)
790027	CVent Elbow D4 x 90degree
790035	CVent Extension, D4 x L18
790028	CVent Extension, D4 x L39
790029	CVent Elbow D8 x 90degree Vertical Support
790030	CVent 8-in Chase Cover
790031	CVent 8-in Vent Distancer, stainless steel
790034	CVent 8-in Vent Rain Cap
790032	Inverter Coupling Kit with condensate trap
790036	CVent 3-in elbows for add-on inline kit for b2b

*PPTl is not approved for use in Canada

Rinnai

CVent PPTI Exhaust Components

Part No.	Description	Images
790022	45° 8" elbow (2/box)	
790023	90° 8" elbow	
790028	39" 8" Vent Length	
790035	18" 8" Vent Length	
790002	Flat roof flashing	
790003	Pitched roof flashing	
790001	Vertical Termination	
790004	Horizontal Termination	

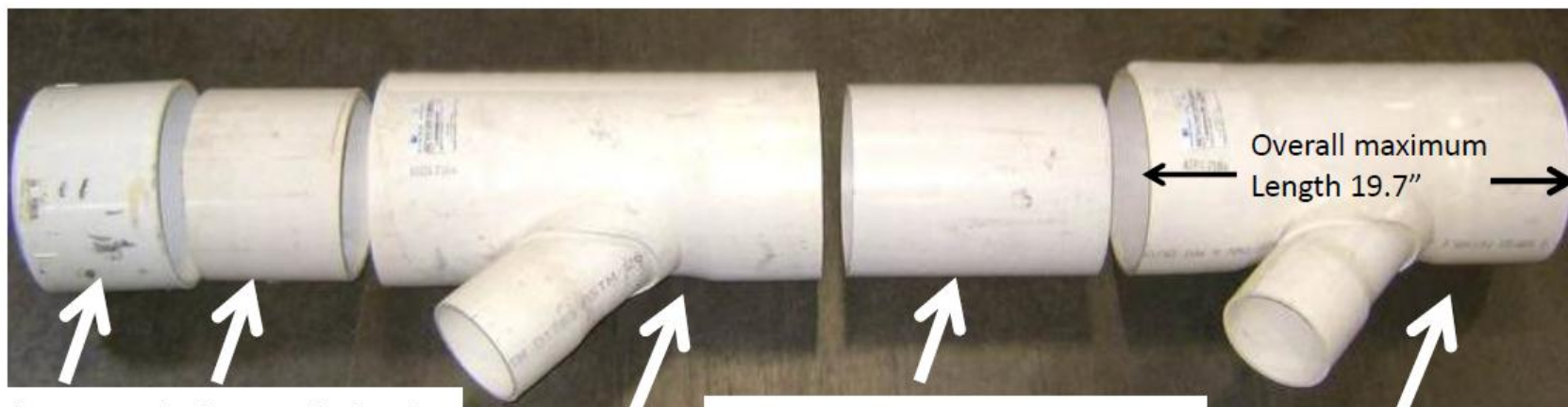


Intake Venting Options

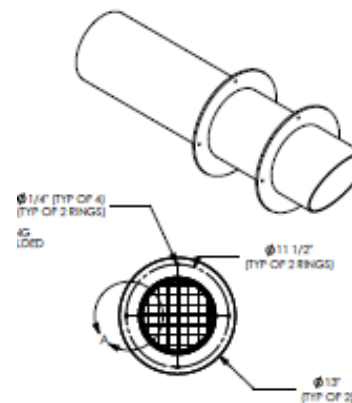
- Schedule 40 8" PVC
- Standard 8" x 4" sanitary tees with 4"-3" adapters
- Full instructions will be available in manual

Intake Venting

Schedule 40 PVC (field sourced)

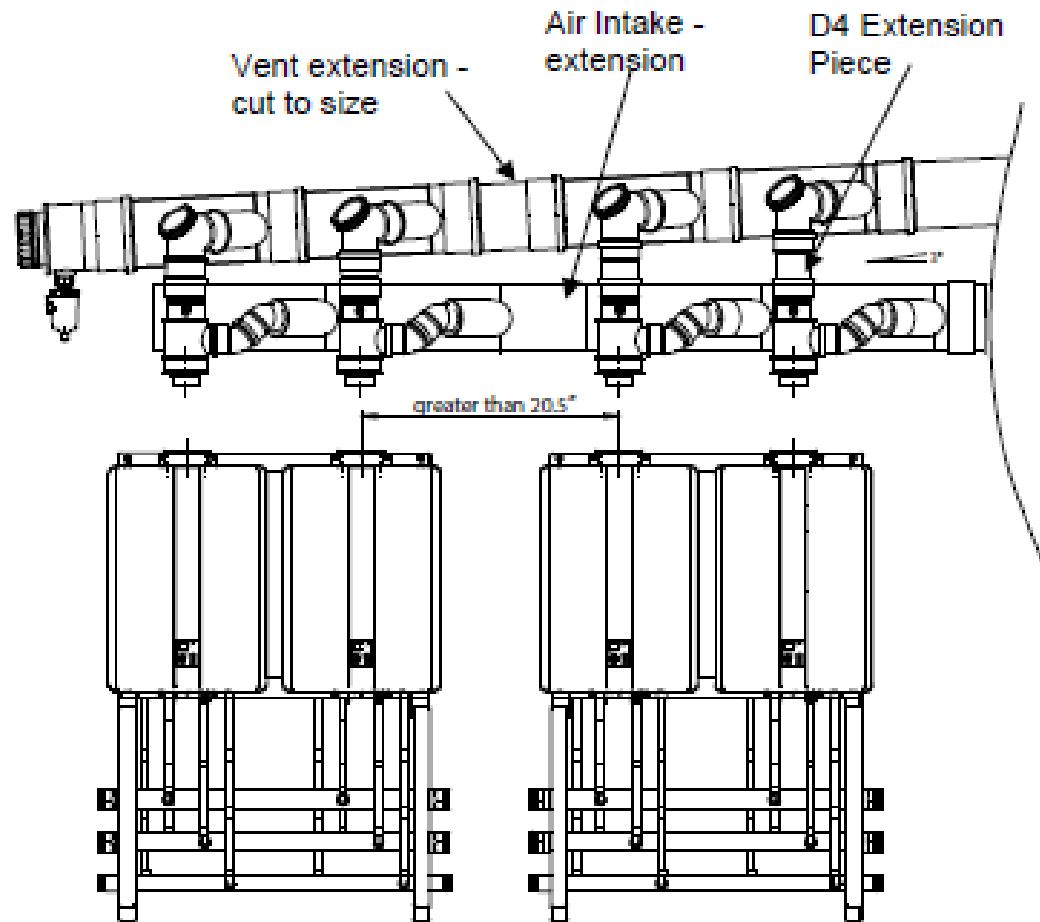


Intake Termination
(supplied by Rinnai)



Rinnai

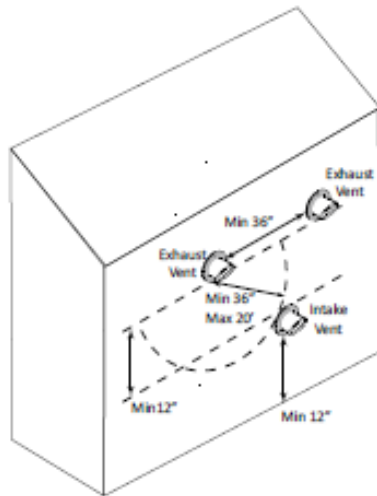
Joining Headers



Terminations

Cvent Termination Clearances Horizontal Termination

Note: This appliance is only certified to use Rinnai terminations and mounted in the orientation shown

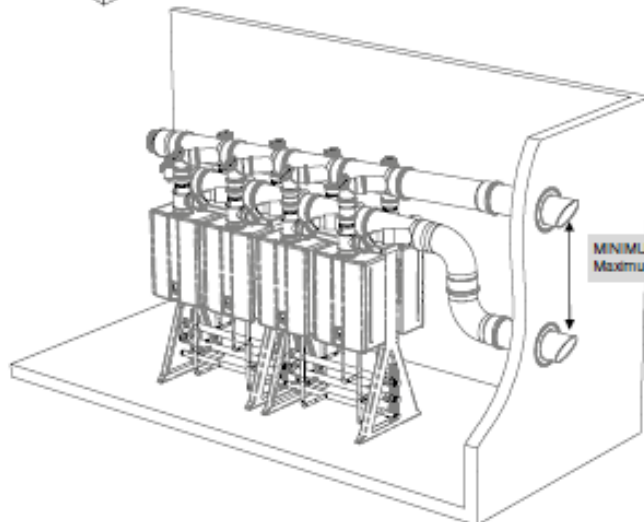


The exhaust and intake terminations must follow these clearances:

- [1] 12 inch minimum from bottom of exhaust termination to top of intake termination.
- [2] 12 inch minimum from bottom of intake termination to ground or anticipated snow line.
- [3] From edge of exhaust termination to edge of intake termination:
Minimum of 36 inches
Maximum of 20 feet
- [4] 36 inch minimum from multiple exhaust CVents

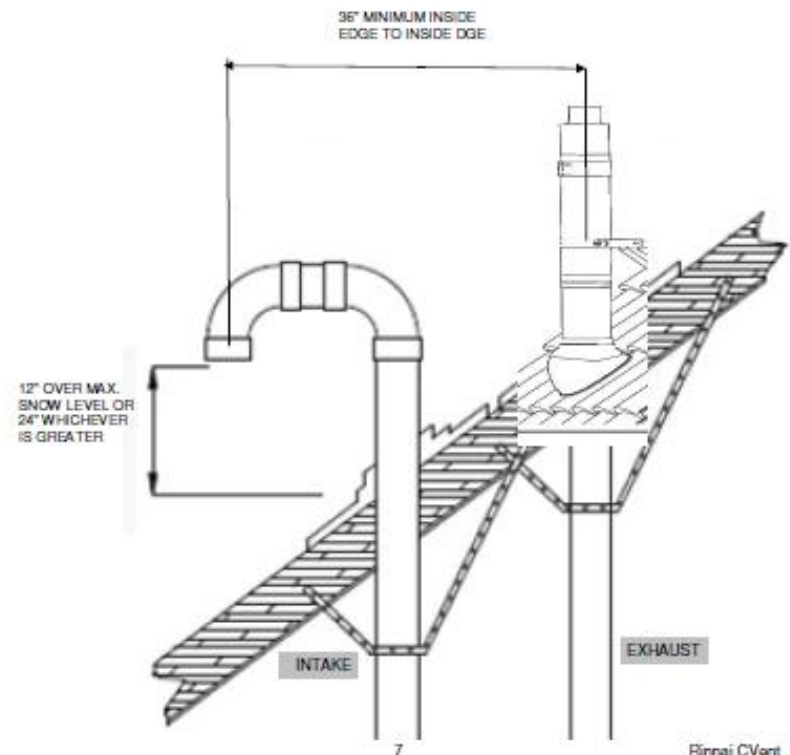
There should be a minimum of 36 inches between exhaust terminations in multiple common vent installations.

The vent (exhaust) termination and air intake must be in the same pressure zone and face the same direction.



Cvent Termination Clearances Vertical Termination

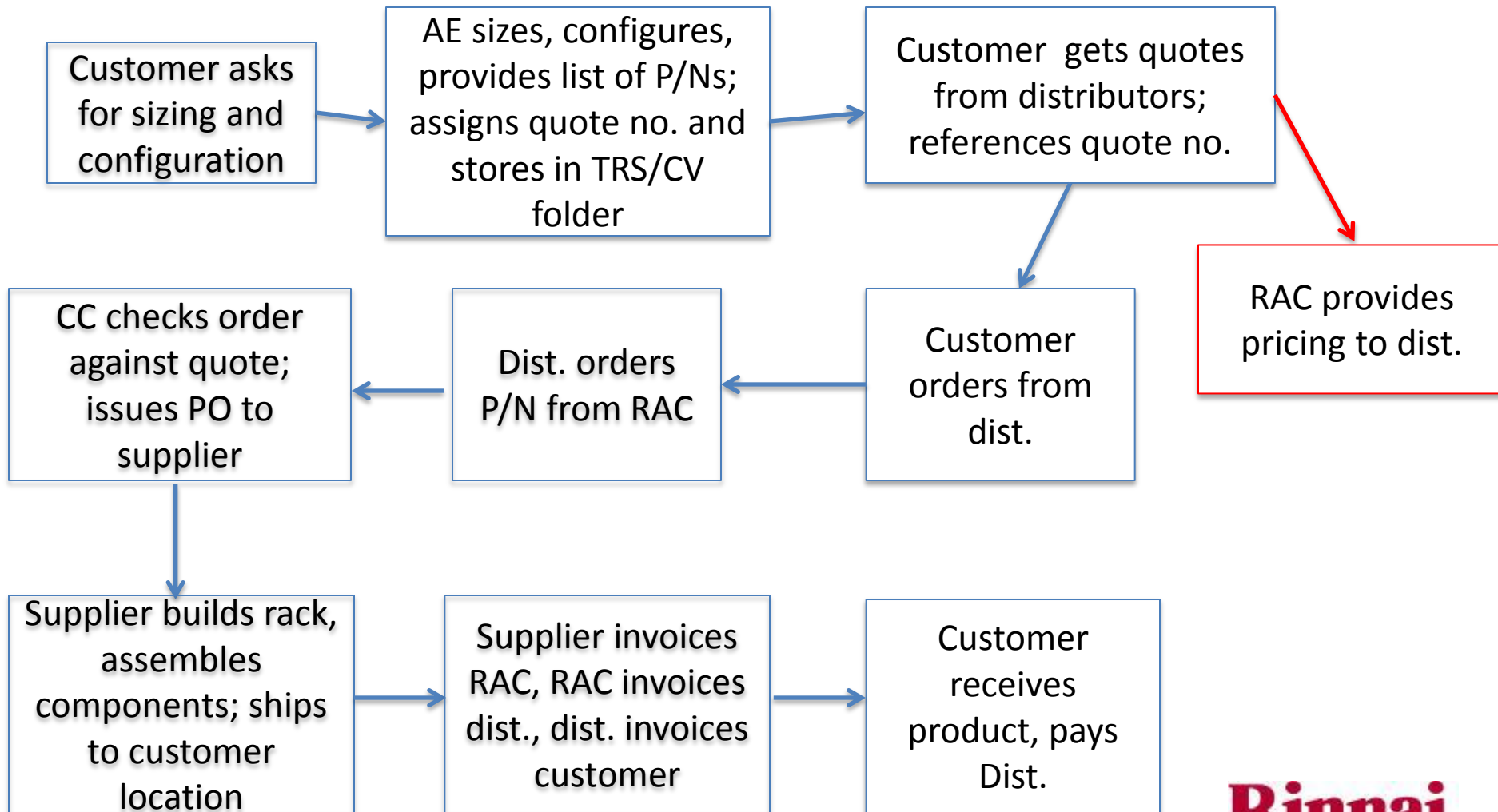
There should be a minimum of 36 inches between exhaust terminations in multiple common vent installations.



Ordering

- Configuration process required (work with Application Engineering)
- Racks can be ordered with or without common venting
 - Common venting can be ordered with or without the TRS
- Rack is shipped pre-assembled with water and gas connections
- Electronic accessories are shipped with the system and installed on the site (e.g., MSB, EZ Connect, MCC-91)
- Venting is shipped as individual components to be assembled on site
- All orders go through distribution
 - Some units will be stocked
 - Some will be shipped direct to customers

Order Process, direct ship/"spec-bid"



Configuration

- Customers should work with Application Engineering to size and configure TRS and Common Vent projects
- AE assistance is needed with the Common Vent to ensure proper components and minimize the chance of a mistake (though not eliminate)

Sample Orders

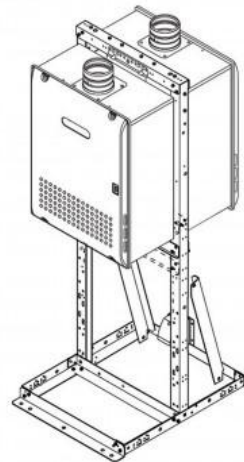
No. and type of Water Heaters	Venting Type and Length	Part Nos.	Descriptions
6 interior NG, no storage, above 140° , free-standing	Common vent with 20' horizontal term.	<ul style="list-style-type: none"> • TRS06iN • CV8BB6 • 790021 x 6pcs. • 790004 x 1 pc. • MSB-M x 2 pcs. • MSB-C1 x 4 • MSB-C2 x 1 • MCC-91-2 	<ul style="list-style-type: none"> • 6-unit stand alone rack • PPTl header • 39" 8" PPTl vent length • 8" PPTl horiz. term. • MSB module • MSB water heater cable • MSB-MSB cable • Commercial controller
4 exterior LP with storage, above 140° , wall-mount	N/A	<ul style="list-style-type: none"> • TRW04eP • MCC-91-2 	<ul style="list-style-type: none"> • 4-unit wall mount • Commercial controller
10 interior NG, with storage, <140° , wall mount	Common vent inline, 10' length, vertical term.	<ul style="list-style-type: none"> • TRW03iN x 2 pcs. • TRW02iN x 2 pcs. • CV8IL5 x 2 pcs. • 790021 x 4 pcs. • 790001 x 2 pcs. • 790023 x 2 pcs. 	<ul style="list-style-type: none"> • 3-unit wall mount • 2-unit wall mount • PPTl 5-unit in=line header • 39" 8" PPTl vent length • 8" PPTl roof term. • 90-deg elbow
10 interior NG, with storage, free-standing, <140°	Common Vent (don't worry about length)	<ul style="list-style-type: none"> • ? 	<ul style="list-style-type: none"> • ?

Tools

- Spec Sheets
- Sell Sheets
- Submittal Forms
- Written Spec
- REVIT Drawings

Competition

- Brand: [Noritz](#)
- SKU: **MR-2**
Mfg Number:
- **Dimensions:** 64" L x 19" W x 31" D
- Availability: In Stock 4-6 days
Usually ships In 4-6 Business Days
- Retail: \$732.91 Price: \$666.29
- You Save: \$66.62 (9.1%)



Rinnai

Registration, Warranty

- Racks, rack components, common venting components are warrantied for 1 year
- Registration:
 - Same as with standard water heaters
 - Register each unit, get 2-year labor warranty

END OF PRESENTATION

Rinnai[®]